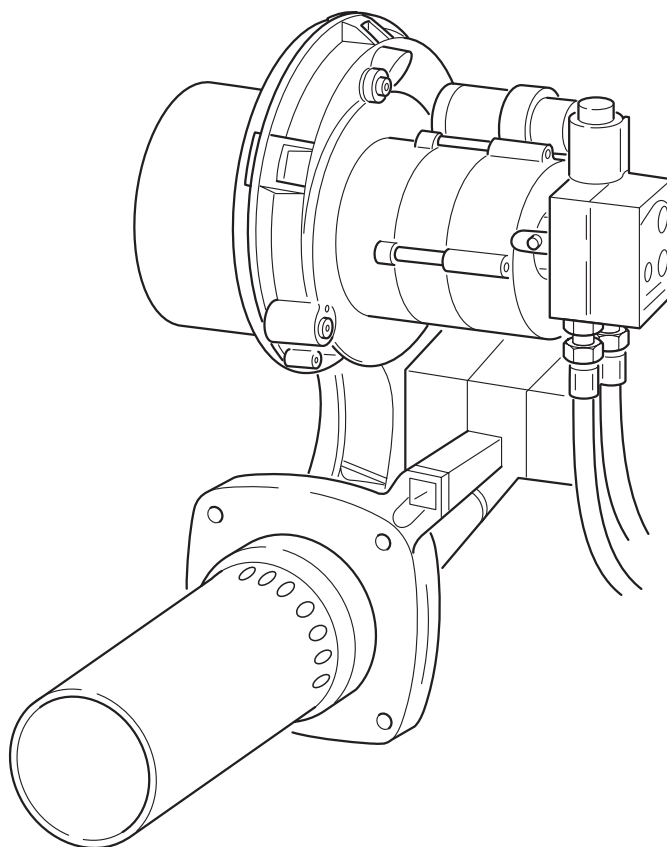


## **Dodatni list tehničkih podataka**

**uz upute za stavljanje u pogon i održavanje  
uljnog plamenika Logatop BE 1.1 i Logatop BE 2.1**

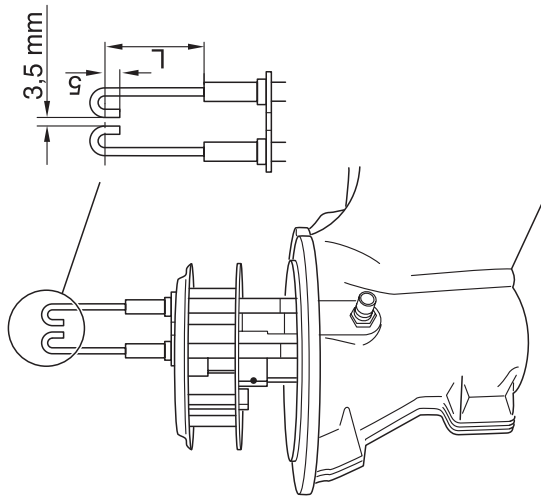


# Tehnički podaci za plamenik Logatop BE 1.1 i Logatop BE 2.1

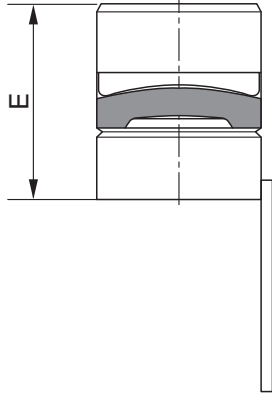
Kotao	Nazivni učinak	Tip plamenika	Sustav miješanja	Tip sapnice	Protok ulja	Tlak ulja	Vod. usis. zraka (ALF) Prednamješt.	Stat. tlak ventilat. ± 1,0	Tlak u ložištu -0,05		Potreb. transp. tlak dimnj.	CO <sub>2</sub> -vrijedn. bez poklop. plamenika	CO <sub>2</sub> -vrijedn. s poklop. plamenika	CO-vrijednost	Elektr. Mjera "X" Mjera "L"	Mjera "X"	Cijev plamenika
									mbar	Pa							
	kW				kg/h	bar		mbar		mbar	Pa	%	%	ppm	mm	mm	mm
Logano G115	17	BE1.1 - 17	1.0 - 17	Fluidics 0,40 gph 80° HF	1,55	11,5 - 14,5	4,2	8,6	0	4	13,0 - 13,5	13,5 - 14,0	< 50	34,0	1,5	Sl.3	
	21	BE1.1 - 21	1.0 - 21	Fluidics 0,45 gph 80° HF	1,90	13,0 - 17,0	3,1	9,7	0	8	13,0 - 13,5	13,5 - 14,0	< 50	34,0	2,0	Sl.3	
	28	BE1.1 - 28	1.0 - 28/2	Fluidics 0,55 gph 60° HF	2,50	15,0 - 19,0	2,2	9,7	0	10	13,0 - 13,5	13,5 - 14,0	< 50	34,0	2,0	Sl.3	
	34	BE2.1 - 34	2.0 - 34	Fluidics 0,65 gph 80° HF	3,05	15,0 - 19,0	3,6	9,7	0	9	13,0 - 13,5	13,5 - 14,0	< 50	34,0	2,0	Sl.2	
Logano G215	45	BE2.1 - 45G	2.0 - 45	Steinen 0,85 gph 60° H	4,05	18,5 - 23,5	3,0	9,8	0,35	0	13,0 - 13,5	13,5 - 14,0	< 50	50,0	3,5	Sl.2	
	55	BE2.1 - 55G	2.1 - 55	Steinen 1,10 gph 60° H	5,00	18,0 - 24,0	2,0	11,0	0,24	0	13,0 - 13,5	13,5 - 14,0	< 50	50,0	6,5	Sl.3	
	68	BE2.1 - 68	2.1 - 68	Monarch 1,35 gph 80° NS	6,15	15,0 - 21,0* 17,0 - 24,0	1,5	10,5	0,39	0	12,0 - 12,4* 12,5 - 13,0	13,0 - 13,5	< 50	58,5	6,5	Sl.4	
Logano S115	17	BE1.1 - 17	1.0 - 17	Fluidics 0,40 gph 80° HF	1,55	11,5 - 14,5	4,2	8,6	0	4	13,0 - 13,5	13,5 - 14,0	< 50	34,0	1,5	Sl.3	
	21	BE1.1 - 21	1.0 - 21	Fluidics 0,45 gph 80° HF	1,90	13,0 - 17,0	3,1	9,7	0	7	13,0 - 13,5	13,5 - 14,0	< 50	34,0	2,0	Sl.3	
	28	BE1.1 - 28	1.0 - 28/2	Fluidics 0,55 gph 60° HF	2,50	15,0 - 19,0	2,2	9,7	0	10	13,0 - 13,5	13,5 - 14,0	< 50	34,0	2,0	Sl.3	
	34	BE2.1 - 34	2.0 - 34	Fluidics 0,65 gph 80° HF	3,05	15,0 - 19,0	3,6	9,7	0	9	13,0 - 13,5	13,5 - 14,0	< 50	34,0	2,0	Sl.2	
Logano S325	34	BE2.1 - 34	2.0 - 34	Fluidics 0,65 gph 80° HF	3,05	15,0 - 19,0	3,6	9,7	0	7	13,0 - 13,5	13,5 - 14,0	< 50	34,0	2,0	Sl.2	
	43	BE2.1 - 43S	2.0 - 45	Steinen 0,85 gph 60° H	3,98	17,5 - 22,5	3,0	9,8	0	5	13,0 - 13,5	13,5 - 14,0	< 50	50,0	3,5	Sl.3	
	54	BE2.1 - 55S	2.1 - 55	Steinen 1,10 gph 60° H	5,00	18,0 - 24,0	2,0	11,0	0	19	13,0 - 13,5	13,5 - 14,0	< 50	50,0	6,5	Sl.3	
	66	BE2.1 - 68	2.1 - 68	Monarch 1,35 gph 80° NS	6,15	15,0 - 21,0* 17,0 - 24,0	1,5	10,5	0	10	12,0 - 12,4* 12,5 - 13,0	13,0 - 13,5	< 50	58,5	6,5	Sl.4	

\* Vrijednost za stupanj pokretanja

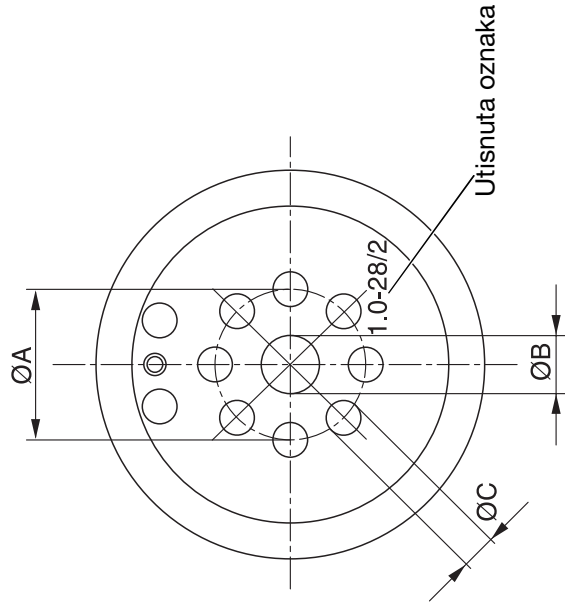
### Elektroda za paljenje (tip 3)



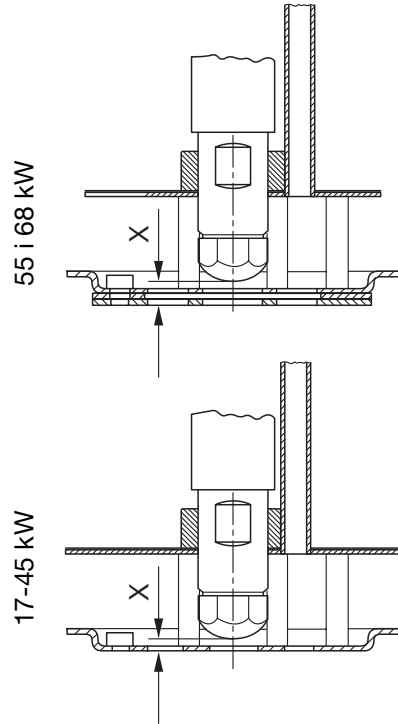
### Plameni lonac



### Sustav za miješanje



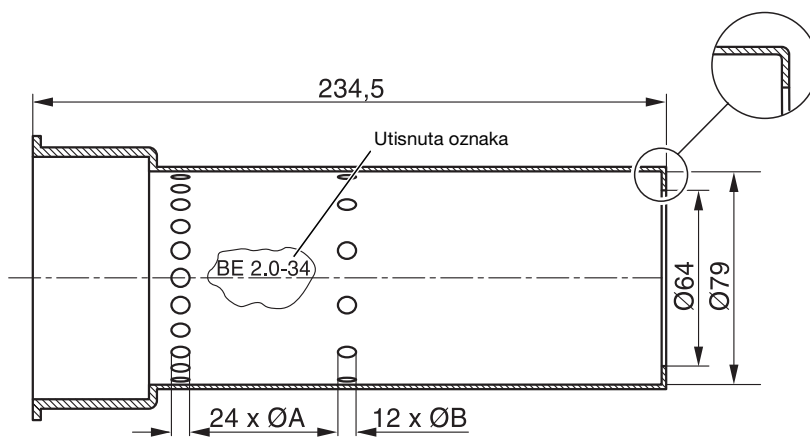
### Mjera "X" sustava za miješanje



Kotao	Nazivni učinak [kW]	Mjera plam. lonca "E" [mm]
Logano S115	17	300
	21	325
	28	400
	34	380
Logano S325	34	380
	43	550
	54	600
	66	650

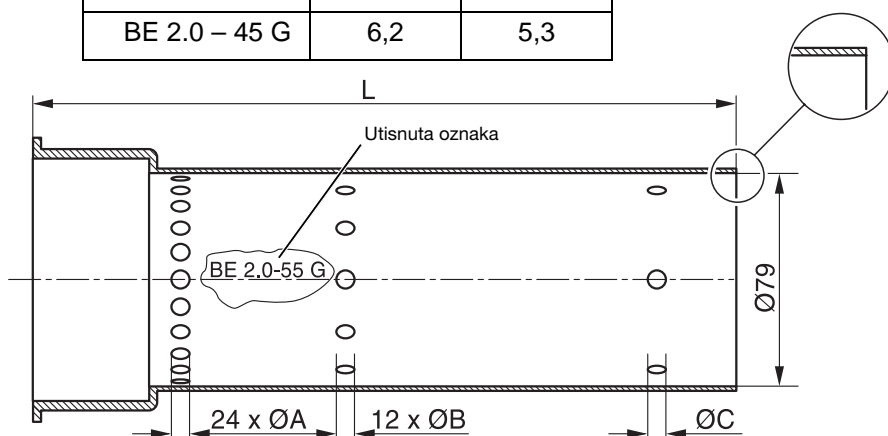
Sustav za miješanje	A [mm]	B [mm]	C [mm]
1.0 - 17	27,5	11,9	5,6
1.0 - 21	30,0	12,1	6,0
1.0 - 28/2	32,5	12,5	7,1
2.0 - 34	32,5	12,8	8,0
2.0 - 45	35,0	13,9	9,0
2.1 - 55	35,0	15,0	9,5
2.1 - 68	35,0	16,3	11,1

Sl. 2



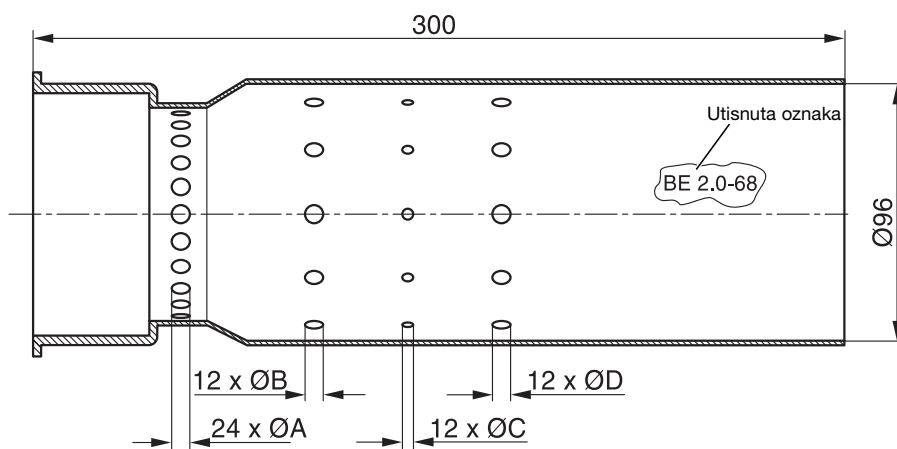
Plamena cijev	ØA[mm]	ØB[mm]
BE 2.0 – 34	5,5	4,3
BE 2.0 – 45 G	6,2	5,3

Sl. 3



Plamena cijev	ØA[mm]	ØB[mm]	ØC[mm]	L[mm]
BE 1.0 – 17/2	2,5	2,0	–	260
BE 1.0 – 21/2	3,0	2,0	–	260
BE 1.0 – 28/2	4,5	4,3	–	242
BE 2.0 – 43 S	7,0	6,0	6 x 6,0	260
BE 2.0 – 55 G	7,0	4,6	6 x 6,0	260
BE 2.0 – 55 S	7,0	7,0	12 x 7,0	260

Sl. 4



Plamena cijev	ØA[mm]	ØB[mm]	ØC[mm]	ØD[mm]
BE 2.0 – 68	5,9	6,3	3,0	7,5

Zadržavamo pravo na izmjene!